

CEILING SYSTEMS

[Between us, ideas become reality.™]

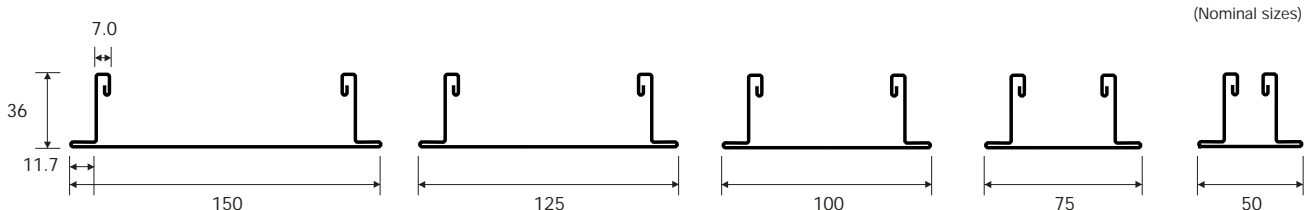
TRULOK BANDRASTER

Bandraster System

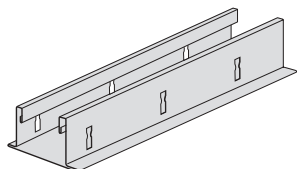
Key Attributes

- Standard slots at 300mm centres
- Slots at 100mm centres available on request
- Suitable for both Prelude 24 XL (stab) and 24 TL (hook) cross tees
- Special 15mm wide cross tees available for Bandraster
- Specials programme available
- Sections up to 6m in length
- Z bar programme
- Comprehensive range of accessories
- "Tartan" grid options
- Armstrong Global White

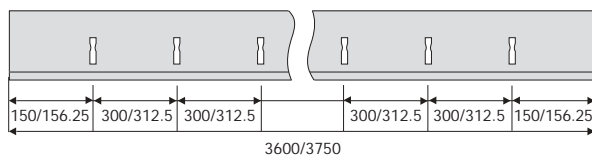
Profiles



Sections

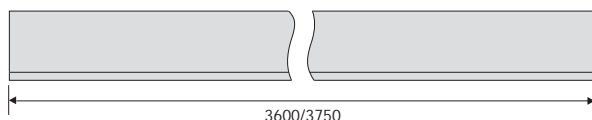


Item Nr.	Dimensions		Content / Carton		Weight / Carton kg	Carton / Pallet
	length	width	pcs	lm		
Slots at 300						
BP 36 1050 A	3600	50	8	28.80	24.00	28
BP 36 1075 A	3600	75	8	28.80	27.70	20
BP 36 1100 A	3600	100	8	28.80	31.40	16
BP 36 1125 A	3600	125	8	28.80	38.30	12
BP 36 1150	3600	150	4	14.40	21.20	20
Slots at 312.5						
BP 36 2100 B	3750	100	8	30.00	32.60	16



Unslotted

BP 36 0050 A	3600	50	8	28.80	24.00	28
BP 36 0075 A	3600	75	8	28.80	27.70	20
BP 36 0100 A	3600	100	8	28.80	31.40	16
BP 36 0125 A	3600	125	8	28.80	38.30	12
BP 36 0150	3600	150	4	14.40	21.20	20



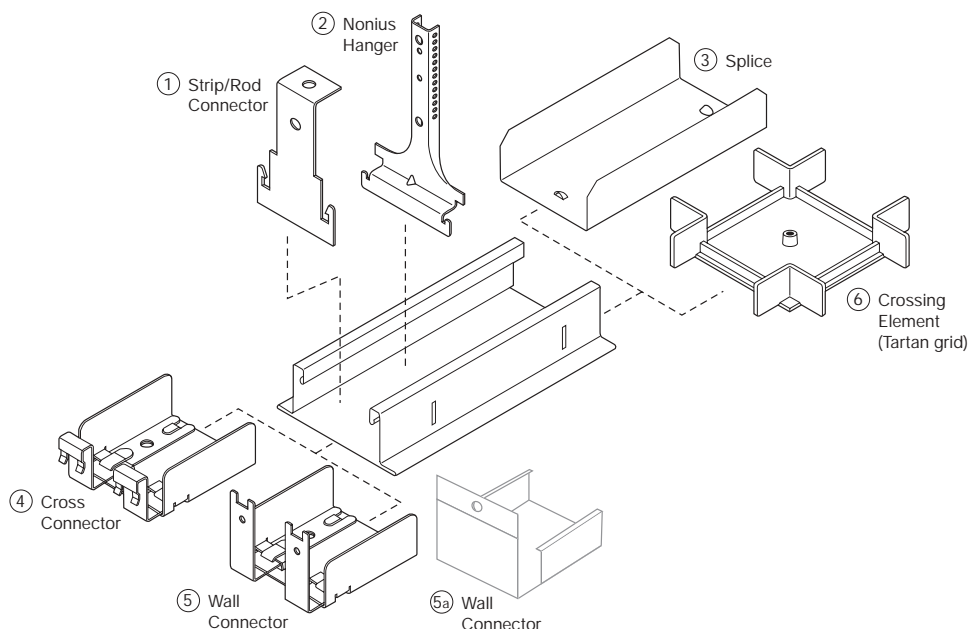
All measurements in millimetres

TRULOK BANDRASTER

Bandraster System

Physical Data

- **Material**
Galvanised steel
- **Surface Finish**
Polyester paint
- **Product Family**
Exposed system
- **Bandraster/Cross Tee Interface**
Compatible with either 24 TL or 24 XL cross tees
- **Fire Rating**
Armstrong have an extensive range of grid and tile products which can provide fire and/or structural protection. Please contact Internal Technical Sales Group for the relevant grid and tile combination.



	Width 50			Width 75			Width 100		
	Item Nr	pc/ctn	kg/ctn	Item Nr	pc/ctn	kg/ctn	Item Nr	pc/ctn	kg/ctn
① Strip/Rod Connector	BP A360501	50	1.20	BP A360751	50	1.50	BP A361001	50	1.80
② Nonius Hanger	BP A360502	100	5.80	BP A360752	100	8.10	BP A361002	100	11.00
③ Splice	BP A360503A	100	8.00	BP A360753A	100	8.30	BP A361003A	100	14.00
④ Cross Connector	BP A360504	50	4.70	BP A360754	50	5.80	BP A361004	50	7.60
⑤ Wall Connector	BP A360505	50	4.70	BP A360755	50	5.80	BP A361005	50	7.60
⑥ Crossing Element	BP A360506	48	7.70	BP A360756	30	5.70	BP A361006	32	7.40

	Width 125			Width 150		
	Item Nr	pc/ctn	kg/ctn	Item Nr	pc/ctn	kg/ctn
② Nonius Hanger	BP A361252	100	12.50	BP A361502	100	15.00
③ Splice	BP A361253A	100	17.00	BP A361503	100	19.50
⑤a Wall Connector	BP A361255	100	12.50	BP A361505	50	7.50

All measurements in millimetres

Please contact Internal Technical Sales Group for further details.

United Kingdom
Republic of Ireland
 Armstrong World Industries Ltd.
 Building Products Division
 Armstrong House
 38 Market Square
 Uxbridge UB8 1NG
0800 371849 (UK)
1800 409002 (ROI)
 Fax: +44 (0) 1895 274287
 www.armstrong-ceilings.co.uk
 e-mail: sales-support@armstrong.com

Armstrong World Industries Ltd.
Africa, Middle East, Turkey Division
 Armstrong House
 38 Market Square
 Uxbridge UB8 1NG
 United Kingdom
 Tel: (+44) (0) 1895 251122
 Fax: (+44) (0) 1895 272928
<http://ceilings-eu.armstrong.com>
 Israel: www.armstrong.co.il
 South Africa: www.armstrong-ceilings.za
 Turkey: www.armstrong.com.tr
 e-mail: sales-support@armstrong.com

Central Europe
 (AL / BA / BG / CZ / EF / HR / HU / IS / LT / LV / MD / MK / PL / RO / SI / SK / YU)
 Armstrong Building Products B.V.
 Sp.z o.o. Oddział w Polsce
 Ul Domaniewska 37
 02-672 Warszawa
 Poland
 Tel: (+48) 22 337 86 10 / 11
 Fax: (+48) 22 337 86 12
<http://ceilings-eu.armstrong.com>
 Hungary: www.armstrong.co.hu
 Poland: www.armstrong.pl
 Romania: www.armstrong.ro
 Slovenia: www.armstrong.si
 e-mail: service-ce@armstrong.com

Armstrong World Industries Ltd.
 5 The Village Centre
 Lucan
 Co Dublin

All product specifications are subject to modifications without prior notice