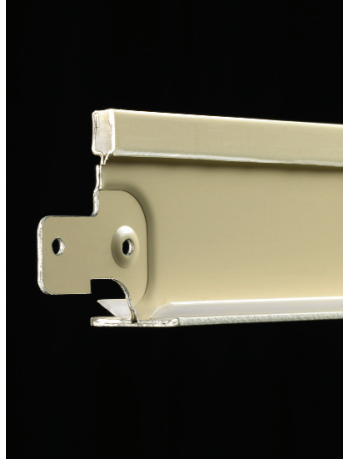


CLEAN ROOM Grid system



ISO 4 Clean room

Inhibition of bacteria

Resistance to disinfectants

- **ISO 4 Clean Room** performance for CLEAN ROOM grid (tested against ISO 14644-1).
- Unique, factory applied gasket for a **better seal** between tile and grid.
- Reduces labour cost versus mastic or double sided tape.
- **Hold down clips** to ensure a good seal.
- The grid finish limits the accumulation of dust and micro-organisms (Kinetic of Decontamination test against NF S 90351).
- CLEAN ROOM grid **inhibits growth of bacteria, mould and yeast**, such as MRSA, E-coli, Streptococcus Pneumoniae, Bacillus Cereus, Aspergillus Niger, Candida Albicans, Klebsiella Pneumoniae, Acinebacter Baumanii (tested against JIS Z2801 and NF S 90351).
 - The **kill rate** of these micro-organisms is 99.9% in less than 72 hours.
 - This performance is **guaranteed** for the **life-time** of the grid as long as the surface is intact.
- **Corrosion resistance** due to the aluminium construction.
- Suitable for **MRI environments**.
- **Plastic hold down clip** for **MRI environments**.
- CLEAN ROOM grid can be cleaned with diluted **disinfectants** containing active agents such as Quaternary Ammonium, Hydrogen Peroxide and Chlorine.
- **24mm wide** for Board tiles, the best solution for clean rooms.

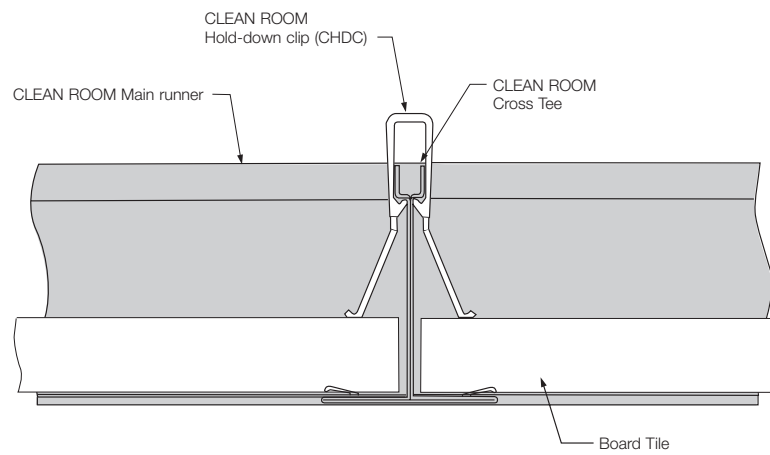
Installation instructions:

In case of high air pressure from below, hold-down clips need to be used to avoid uplift of tiles and to provide airtightness.

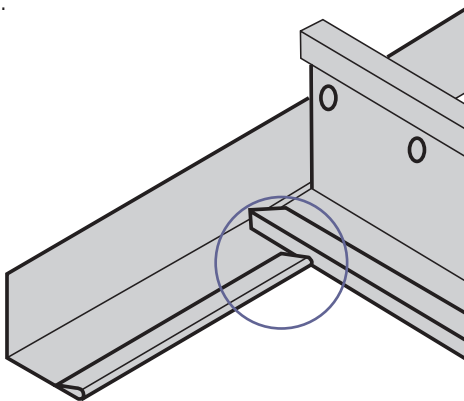
The PVC clip **BP CHDC** can be used in any space, including MRI environments.

The clips should be used with **15 to 18 mm** thick board tiles.

A **600 x 600** tile shall be fixed with **8 clips**, 2 on each side and a **1200 x 600** tile with **10 clips**, 3 on each long side and 2 on each short side.



Where the grid is laid on top of the perimeter trim, the gasket of the perimeter trim needs to be cut and removed.



Each perimeter tile shall be fixed with a minimum of **4 hold-down clips** for a **600 x 600** tile and **5 hold-down clips** for a **1200 x 600** tile.

If necessary, air tightness can be reinforced along the perimeter trim, especially where the grid meets the trim, by using silicone or mastic.

To obtain a tile that remains accessible from below, the steel access clip **BPA 425 G** can be used, except for MRI environments.

United Kingdom

Republic of Ireland

Armstrong World Industries Ltd.

Building Products Division

Armstrong House

38 Market Square

Uxbridge UB8 1NG

0800 371849 (UK) **FREEPHONE**

1800 409002 (ROI)

Fax: +44 (0) 1895 274287

sales-support@armstrong.com

www.armstrong-ceilings.co.uk

www.armstrong-ceilings.ie

Other markets: www.armstrong-europe.com

Armstrong